



SHENZHEN AGLARE LIGHTING CO., LTD.

Tel: +86-755-88868631 FAX: +86-755-88863251 E-mail: Aglare@aglare.cn Website: <http://www.aglare.cn>
Add: Factory A, Supply and Marketing Cooperative Park Guanlan Avenue, Guanlan Town Bao'an District, Shenzhen City, Guangdong, China

Specification for Approval

Customer: _____

Product: YJ-DL155R10X1W

Part No.: _____

Ref. No: _____

Date: 2010-06-24

Made by Shenzhen Aglare Lighting Co. Ltd

Production Dept	Q.C. Dept	Engineering Dept	Marketing Dept
Wen Liu	Fang Yang	Jiang Yang	Fang Wang

Approved by

Engineering Dept	Production Dept	Q.C. Dept	Manager



SHENZHEN AGLARE LIGHTING CO., LTD.

Tel: +86-755-88868631

FAX: +86-755-88863251

E-mail: Aglare@aglare.cn

Website: <http://www.aglare.cn>

Add: Factory A, Supply and Marketing Cooperative Park Guanlan Avenue, Guanlan Town Bao'an District, Shenzhen City, Guangdong, China

1.Features:

- ※ Power dissipation: 10 x 1W
- ※ Beam angle: 100°(selectable)
- ※Housing material: aluminum profiles
- ※Maximum size: 155*155*77mm
- ※Net weight: 620g
- ※Emitting colors: warm white, pure white, cool white, red, green, blue and yellow
- ※Defending Electricity Leakage. Easy to install and maintenance free.
- ※ Green product, compliant with ROHS and CE.
- ※.Suitable for family, hotel, restaurant, hall, pub, casino, show business, lighting, marketplace, meeting room and exhibition

Picture:



2.Application Case:



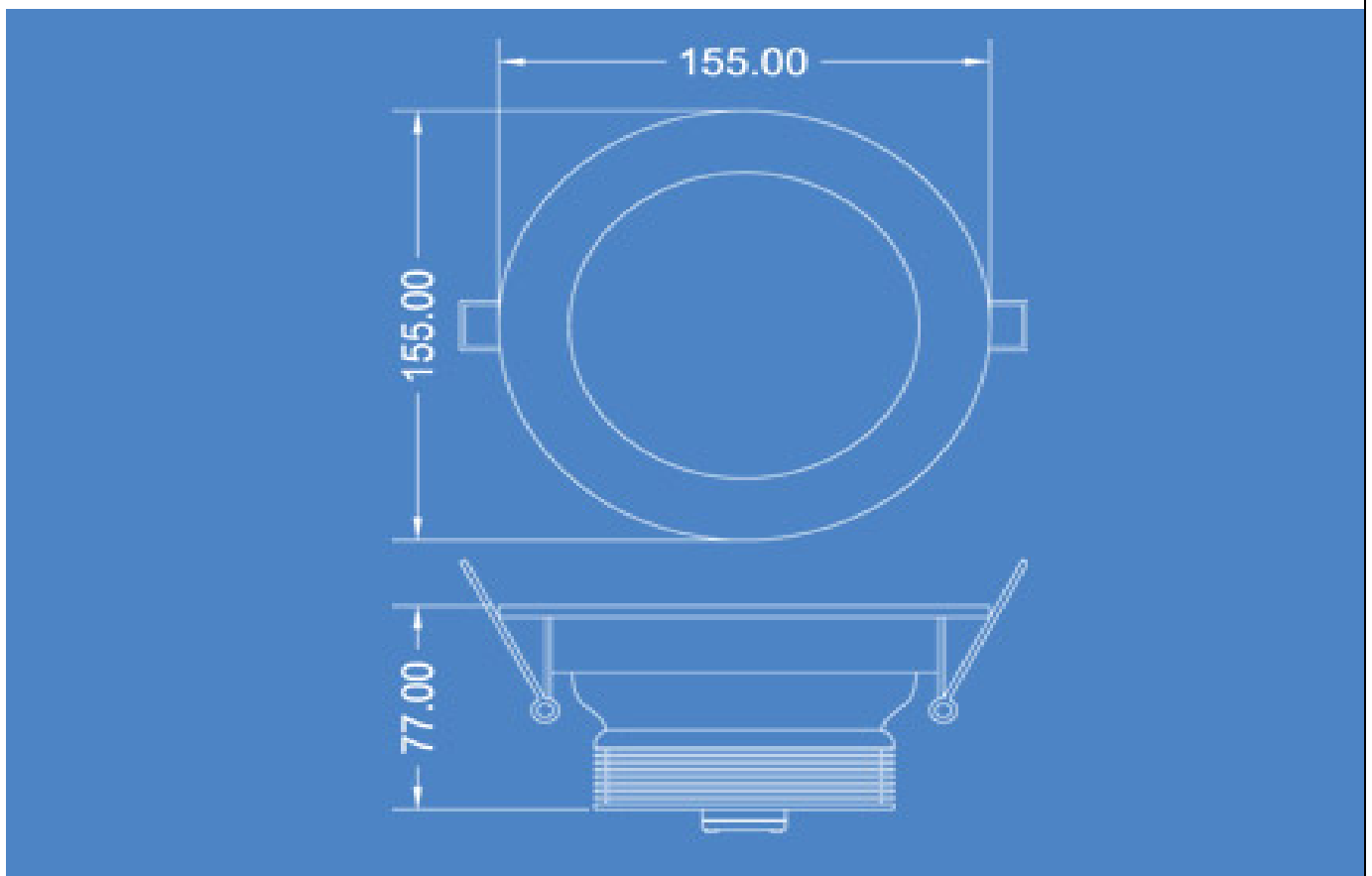


SHENZHEN AGLARE LIGHTING CO., LTD.

Tel: +86-755-88868631 FAX: +86-755-88863251 E-mail: Aglare@aglare.cn Website: <http://www.aglare.cn>
Add: Factory A, Supply and Marketing Cooperative Park Guanlan Avenue, Guanlan Town Bao'an District, Shenzhen City, Guangdong, China



3.Package Dimensions (mm):





SHENZHEN AGLARE LIGHTING CO., LTD.

Tel: +86-755-88868631

FAX: +86-755-88863251

E-mail: Aglare@aglare.cn

Website: <http://www.aglare.cn>

Add: Factory A, Supply and Marketing Cooperative Park Guanlan Avenue, Guanlan Town Bao'an District, Shenzhen City, Guangdong, China

4. Absolute Maximum Rating at TA=25°C:

Part Number	Emitting Color	Input Voltage	Wattage	Waterpro of Degree	LED Quantity	Luminous Intensity(Lm)		Net Weight (g)
						MIN	MAX	
YJ-DL155R10X1R	Red	AC90V-A C260V	10W	/	10pcs	550	650	620g
YJ-DL155R10X1G	Green		10W	/	10pcs	550	650	620g
YJ-DL155R10X1B	Blue		10W	/	10pcs	140	180	620g
YJ-DL155R10X1Y	Yellow		10W	/	10pcs	550	600	620g
YJ-DL155R10X1W	Pure White		10W	/	10pcs	700	1000	620g
YJ-DL155R10X1WW	Warm White		10W	/	10pcs	650	900	620g

5. Characteristic:

Electro-Optical characteristics (Pure White) (Ta=25°C)						
Parameter	Test Condition	Symbol	Value			Unit
			Min	Typ	Max	
Color temperature	If=350mA		5000		6500	K
Forward voltage	If=350mA	VF	3.2		3.8	V
Power consumption	If=350mA	P	8	9	10	W
Luminous intensity	If=350mA	Iv	504	610	720	LM
Reverse current	VF=5V	IR	--	--	5	UA
Useful life	IF=350mA		30000		50000	H

6. Lumen Decrease

Operating time (hours)	Lumen decrease [%]
1000	8
5000	15
10000	20



SHENZHEN AGLARE LIGHTING CO., LTD.

Tel: +86-755-88868631

FAX: +86-755-88863251

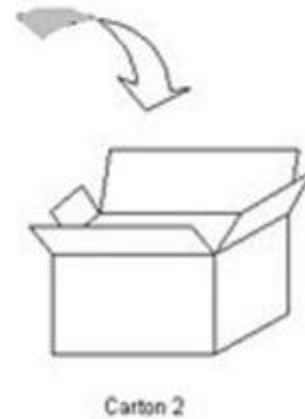
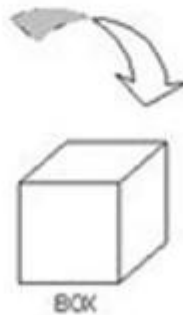
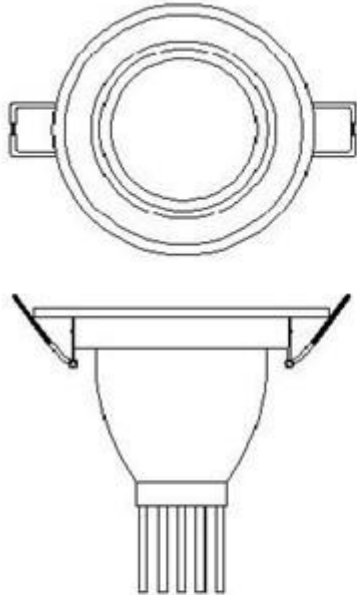
E-mail: Aglare@aglare.cn

Website: <http://www.aglare.cn>

Add: Factory A, Supply and Marketing Cooperative Park Guanlan Avenue, Guanlan Town Bao'an District, Shenzhen City, Guangdong, China

8. Package Information:

Net (g)	Gross (kg)	Carton1 Size (CM)	Carton2 Size (CM)	Q'ty/Carton 1
620	11	20*20*10	41.5*41.5*41.5	16



9. After-sales service

All products are guaranteed to use in one year. Under the right and normal using condition, quality warranty is based on correct conservation, assemblage, and maintenance. As incorrect usage, and disobeying product operation, it's not guaranteed. To the problem within promised time, "Aglare" will solve it by repair, substitute accessories or replacement for your option. Upon exceeding the promised time, there will be material and maintenance fees to be paid by c

TEL: +86-755-88868631 FAX: +86-755-88863251 E-mail: service@aglare.cn