



# SHENZHEN AGLARE LIGHTING CO., LTD.

Tel: +86-755-88868631 FAX: +86-755-88863251 E-mail: [Aglare@aglare.cn](mailto:Aglare@aglare.cn) Website: <http://www.aglare.cn>  
Add: Factory A, Supply and Marketing Cooperative Park Guanlan Avenue, Guanlan Town Bao'an District, Shenzhen City, Guangdong, China

## Specification for Approval

Customer: \_\_\_\_\_

Product: YJ-DL148R12X1W-B

Part No.: \_\_\_\_\_

Ref. No: \_\_\_\_\_

Date: 2010-06-30

Made by Shenzhen Aglare Lighting Co. Ltd

Production Dept	Q.C. Dept	Engineering Dept	Marketing Dept
Wen Liu	Fang Yang	Jiang Yang	Fang Wang

Approved by

Engineering Dept	Production Dept	Q.C. Dept	Manager



# SHENZHEN AGLARE LIGHTING CO., LTD.

Tel: +86-755-88868631 FAX: +86-755-88863251 E-mail: [Aglare@aglare.cn](mailto:Aglare@aglare.cn) Website: <http://www.aglare.cn>  
Add: Factory A, Supply and Marketing Cooperative Park Guanlan Avenue, Guanlan Town Bao'an District, Shenzhen City, Guangdong, China

## 1.Features:

1. Ceiling spotlights
2. LED quantity: 12 pieces
3. LED type: 1w high power led
4. Operating condition: 350mA
5. Input voltage: AC 85-260V
6. Total power consumption: 12W
7. Colors available: white, warm white, red, blue, green and yellow.
8. Luminous intensity: R (660-780lm), B (168-216lm), Y (660-720lm), G (660-780lm), W (840-1200lm), WW (780-1080lm)
9. Brightness: 1m (4200lux), 2m (1250lux), 3m (720lux)
10. Lifespan: 50,000 hours
11. Net weight: 631g
12. Maximum size: 148\*148\*58 mm<sup>3</sup>
13. Viewing angle: 15 to 80° (selectable)

## Picture:



## 2.Application Case:





# SHENZHEN AGLARE LIGHTING CO., LTD.

Tel: +86-755-88868631

FAX: +86-755-88863251

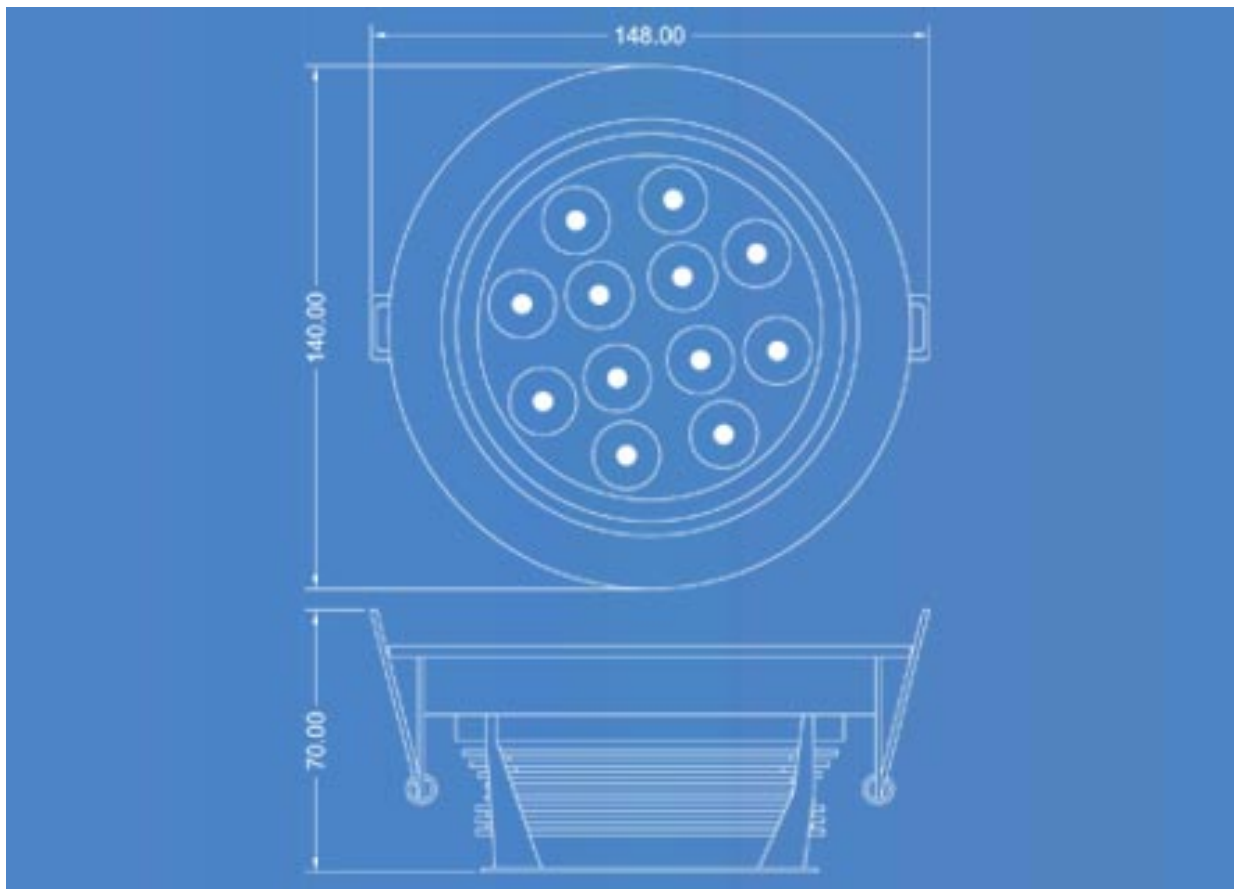
E-mail: [Aglare@aglare.cn](mailto:Aglare@aglare.cn)

Website: <http://www.aglare.cn>

Add: Factory A, Supply and Marketing Cooperative Park Guanlan Avenue, Guanlan Town Bao'an District, Shenzhen City, Guangdong, China



### 3.Package Dimensions (mm):





# SHENZHEN AGLARE LIGHTING CO., LTD.

Tel: +86-755-88868631 FAX: +86-755-88863251 E-mail: [Aglare@aglare.cn](mailto:Aglare@aglare.cn) Website: <http://www.aglare.cn>  
 Add: Factory A, Supply and Marketing Cooperative Park Guanlan Avenue, Guanlan Town Bao'an District, Shenzhen City, Guangdong, China

## 4. Absolute Maximum Rating at TA=25°C:

Part Number	Emitting Color	Input Voltage	Wattage	Waterpro of Degree	LED Quantity	Luminous Intensity(Lm)		Net Weight (g)
						MIN	MAX	
YJ-DL148R12X1R-B	Red	AC85V-A C260V	12W	/	12pcs	660	780	631
YJ-DL148R12X1G-B	Green		12W	/	12pcs	660	780	631
YJ-DL148R12X1B-B	Blue		12W	/	12pcs	168	216	631
YJ-DL148R12X1Y-B	Yellow		12W	/	12pcs	660	720	631
YJ-DL148R12X1W-B	Pure White		12W	/	12pcs	840	1200	631
YJ-DL148R12X1WW-B	Warm White		12W	/	12pcs	780	1080	631

## 5. Characteristic:

Electro-Optical characteristics ( Pure White ) ( Ta=25°C )						
Parameter	Test Condition	Symbol	Value			Unit
			Min	Typ	Max	
Color temperature	If=350mA		5000		6500	K
Forward voltage	If=350mA	VF	3.2		3.8	V
Power consumption	If=350mA	P	11	12	13	W
Luminous intensity	If=350mA	Iv	840	1000	1200	LM
Reverse current	VF=5V	IR	--	--	5	UA
Useful life	IF=350mA		30000		50000	H

## 6. Lumen Decrease

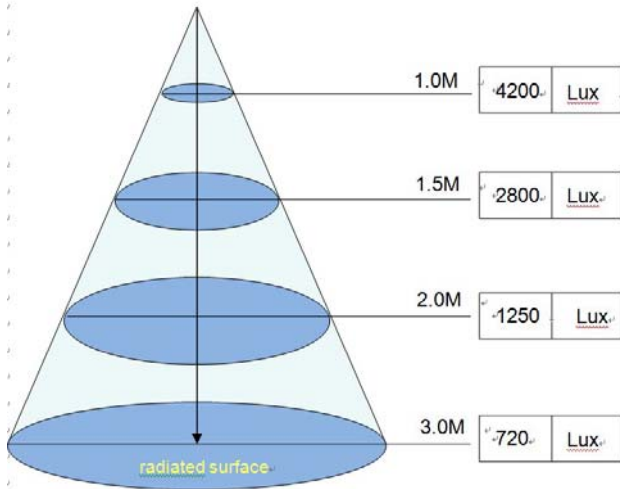
Operating time ( hours )	Lumen decrease [ % ]
1000	8
5000	15
10000	20



# SHENZHEN AGLARE LIGHTING CO., LTD.

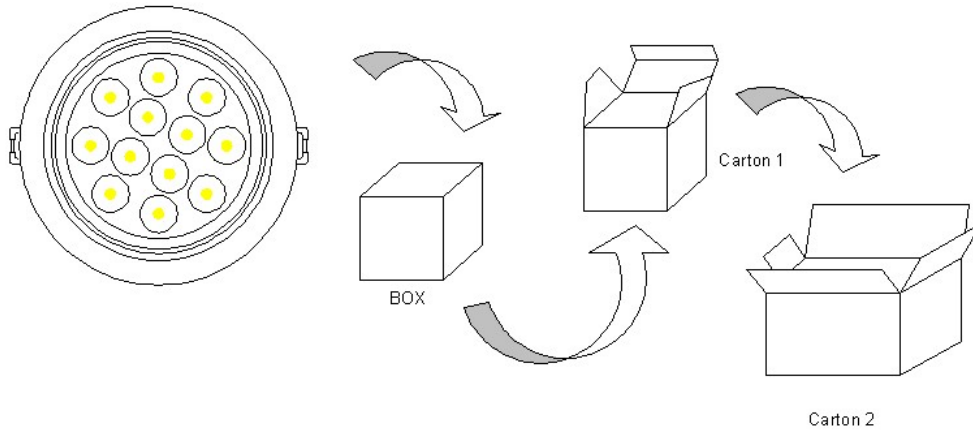
Tel: +86-755-88868631 FAX: +86-755-88863251 E-mail: [Aglare@aglare.cn](mailto:Aglare@aglare.cn) Website: <http://www.aglare.cn>  
Add: Factory A, Supply and Marketing Cooperative Park Guanlan Avenue, Guanlan Town Bao'an District, Shenzhen City, Guangdong, China

## 7. Average illuminance figure



## 8. Package Information:

Net (g)	Gross (kg)	Carton1 Size (CM)	Quantity	Carton2 Size (CM)	Q'ty/Carton 1
631	12	30*30*7.7	4	60*30*16	16



## 9. After-sales service

All products are guaranteed to use in one year. Under the right and normal using condition, quality warranty is based on correct conservation, assemblage, and maintenance. As incorrect usage, and disobeying product operation, it's not guaranteed. To the problem within promised time, "Aglare" will solve it by repair, substitute accessories or replacement for your option. Upon exceeding the promised time, there will be material and maintenance fees to be paid by c