



SHENZHEN AGLARE LIGHTING CO., LTD.

Tel: +86-755-88868631

FAX: +86-755-88863251

E-mail: Aglare@aglare.cn

Website: <http://www.aglare.cn>

Add: Factory A, Supply and Marketing Cooperative Park Guanlan Avenue, Guanlan Town Bao'an District, Shenzhen City, Guangdong, China

Specification for Approval

Customer: _____

Product: YJ-DL205R18X1W

Part No.: _____

Ref. No: _____

Date: 2010-06-30

Made by Shenzhen Aglare Lighting Co. Ltd

Production Dept	Q.C. Dept	Engineering Dept	Marketing Dept
Wen Liu	Fang Yang	Jiang Yang	Fang Wang

Approved by

Engineering Dept	Production Dept	Q.C. Dept	Manager



SHENZHEN AGLARE LIGHTING CO., LTD.

Tel: +86-755-88868631

FAX: +86-755-88863251

E-mail: Aglare@aglare.cn

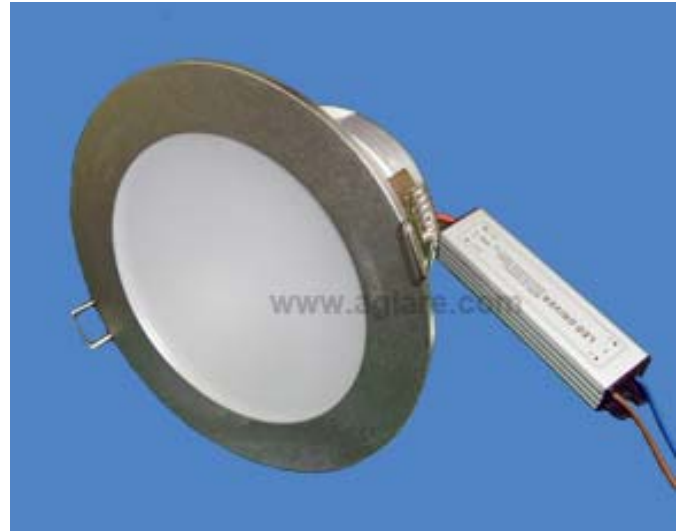
Website: <http://www.aglare.cn>

Add: Factory A, Supply and Marketing Cooperative Park Guanlan Avenue, Guanlan Town Bao'an District, Shenzhen City, Guangdong, China

1.Features:

1. LED type: 5050 High power led
2. LED quantity: 18 pieces
3. Lumen: 1260~1800LM
4. Operating condition: DC 350mA
5. Input voltage: AC 90-260V
6. Total power consumption: 18W
7. Colors available: red, green, blue, yellow, white, warm white
8. Luminous intensity:
R(990~1170LM)G(990~1170LM)B(252~324LM)Y(990~1080LM)
W(1260~1800LM)WW(1170~1620LM)
9. Net weight: 1115g
10. Maximum size: 205*205*84mm
11. Aluminum housing for excellent thermal management and lumen maintenance

Picture:



2.Application Case:



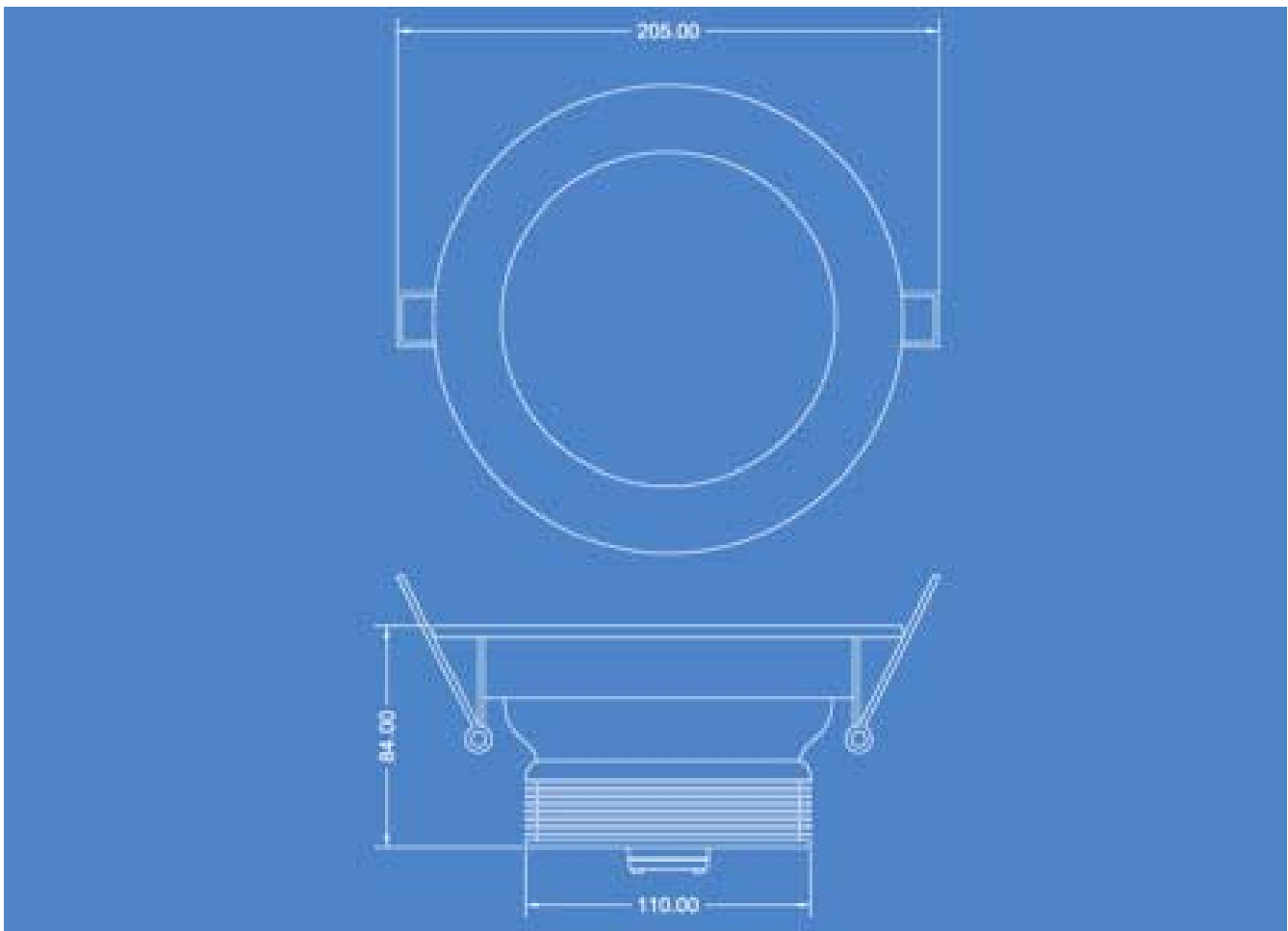


SHENZHEN AGLARE LIGHTING CO., LTD.

Tel: +86-755-88868631 FAX: +86-755-88863251 E-mail: Aglare@aglare.cn Website: <http://www.aglare.cn>
Add: Factory A, Supply and Marketing Cooperative Park Guanlan Avenue, Guanlan Town Bao'an District, Shenzhen City, Guangdong, China



3.Package Dimensions (mm):



4.Absolute Maximum Rating at TA=25°C:



SHENZHEN AGLARE LIGHTING CO., LTD.

Tel: +86-755-88868631

FAX: +86-755-88863251

E-mail: Aglare@aglare.cn

Website: <http://www.aglare.cn>

Add: Factory A, Supply and Marketing Cooperative Park Guanlan Avenue, Guanlan Town Bao'an District, Shenzhen City, Guangdong, China

Part Number	Emitting Color	Input Voltage	Wattage	Waterpro of Degree	LED Quantity	Luminous Intensity(Lm)		Net Weight (g)
						MIN	MAX	
YJ-DL205R18X1R	Red	AC90V-A C260V	18W	/	18pcs	990	1170	1115
YJ-DL205R18X1G	Green		18W	/	18pcs	990	1170	1115
YJ-DL205R18X1B	Blue		18W	/	18pcs	252	324	1115
YJ-DL205R18X1Y	Yellow		18W	/	18pcs	990	1080	1115
YJ-DL205R18X1W	Pure White		18W	/	18pcs	1260	1800	1115
YJ-DL205R18X1WW	Warm White		18W	/	18pcs	1170	1620	1115

5. Characteristic:

Electro-Optical characteristics (White) (Ta=25°C)						
Parameter	Test Condition	Symbol	Value			Unit
			Min	Typ	Max	
Color temperature	If=350mA		5000		6500	K
Forward voltage	If=350mA		3.0		3.8	V
Power consumption	If=350mA		17	18	19	W
Useful life	If=350mA		30000		50000	H

6.Lumen Decrease

Operating time (hours)	Lumen decrease [%]
1000	8
5000	15
10000	20

7. Average illuminance figure



SHENZHEN AGLARE LIGHTING CO., LTD.

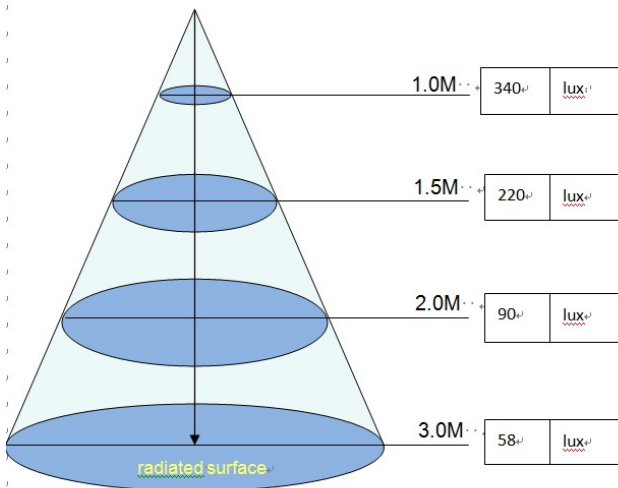
Tel: +86-755-88868631

FAX: +86-755-88863251

E-mail: Aglare@aglare.cn

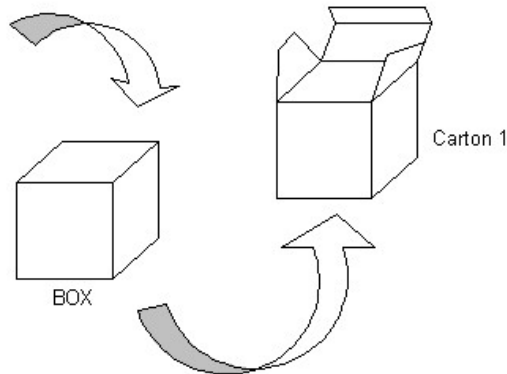
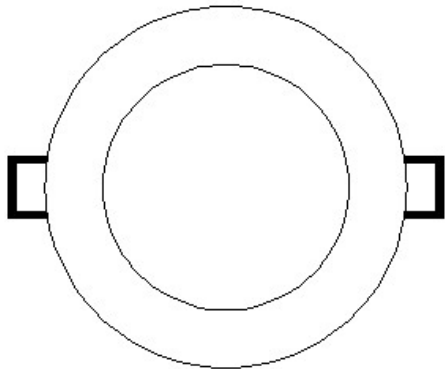
Website: <http://www.aglare.cn>

Add: Factory A, Supply and Marketing Cooperative Park Guanlan Avenue, Guanlan Town Bao'an District, Shenzhen City, Guangdong, China



8. Package Information:

Net (g)	Gross (kg)	Carton1 Size (CM)	Quantity	Carton2 Size (CM)	Q'ty/Carton 1
1115	15	21*21*10	1	45*45*35	12



9. After-sales service

All products are guaranteed to use in one year. Under the right and normal using condition, quality warranty is based on correct conservation, assemblage, and maintenance. As incorrect usage, and disobeying product operation, it's not guaranteed. To the problem within promised time, "Aglare" will solve it by repair, substitute accessories or replacement for your option. Upon exceeding the promised time, there will be material and maintenance fees to be paid by c

TEL: +86-755-88868631 FAX: +86-755-88863251 E-mail: service@aglare.cn