



# SHENZHEN AGLARE LIGHTING CO., LTD.

Tel: +86-755-88868631 FAX: +86-755-88863251 E-mail: [Aglare@aglare.cn](mailto:Aglare@aglare.cn) Website: <http://www.aglare.cn>  
Add: Factory A, Supply and Marketing Cooperative Park Guanlan Avenue, Guanlan Town Bao'an District, Shenzhen City, Guangdong, China

## Specification for Approval

Customer: \_\_\_\_\_

Product: YJ-DL244R25X1W

Part No.: \_\_\_\_\_

Ref. No: \_\_\_\_\_

Date: 2011-11-30

Made by Shenzhen Aglare Lighting Co. Ltd

| Production Dept | Q.C. Dept | Engineering Dept | Marketing Dept |
|-----------------|-----------|------------------|----------------|
| Wen Liu         | Fang Yang | Jiang Yang       | Fang Wang      |

Approved by

| Engineering Dept | Production Dept | Q.C. Dept | Manager |
|------------------|-----------------|-----------|---------|
|                  |                 |           |         |



# SHENZHEN AGLARE LIGHTING CO., LTD.

Tel: +86-755-88868631

FAX: +86-755-88863251

E-mail: [Aglare@aglare.cn](mailto:Aglare@aglare.cn)

Website: <http://www.aglare.cn>

Add: Factory A, Supply and Marketing Cooperative Park Guanlan Avenue, Guanlan Town Bao'an District, Shenzhen City, Guangdong, China

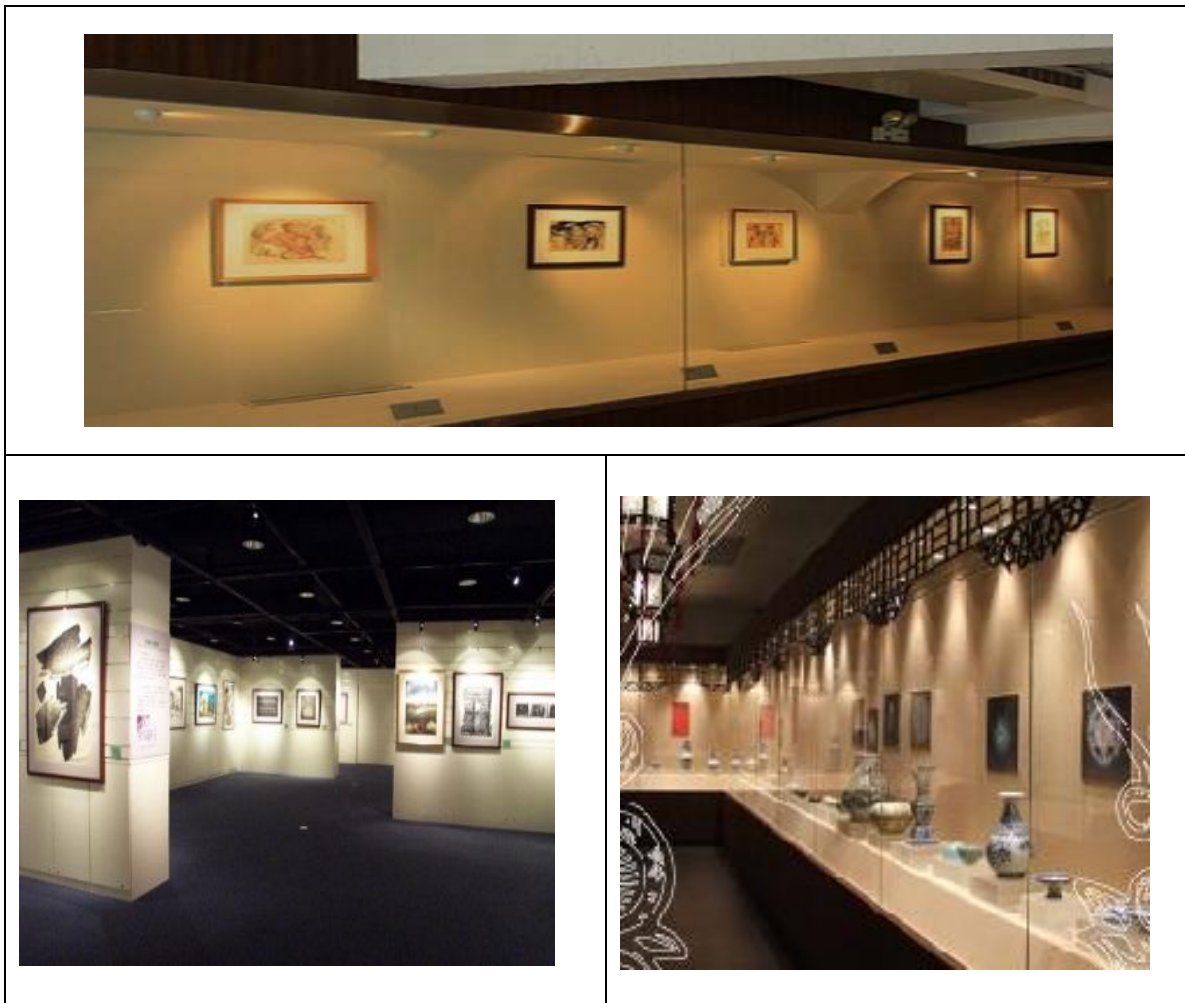
## 1.Features:

1. LED type: 1-3W High power led
2. LED quantity: 25 pieces
3. Lumen: 1750~2500LM
4. Operating condition: DC 350mA
5. Input voltage: AC 90-260V
6. Total power consumption: 25W
7. Colors available: red, green, blue, yellow, white, warm white
8. Net weight: 1710g degree 105
9. Maximum size: 224\*224\*106mm
10. Aluminum housing for excellent thermal management and lumen maintenance

## Picture:



## 2.Application Case:



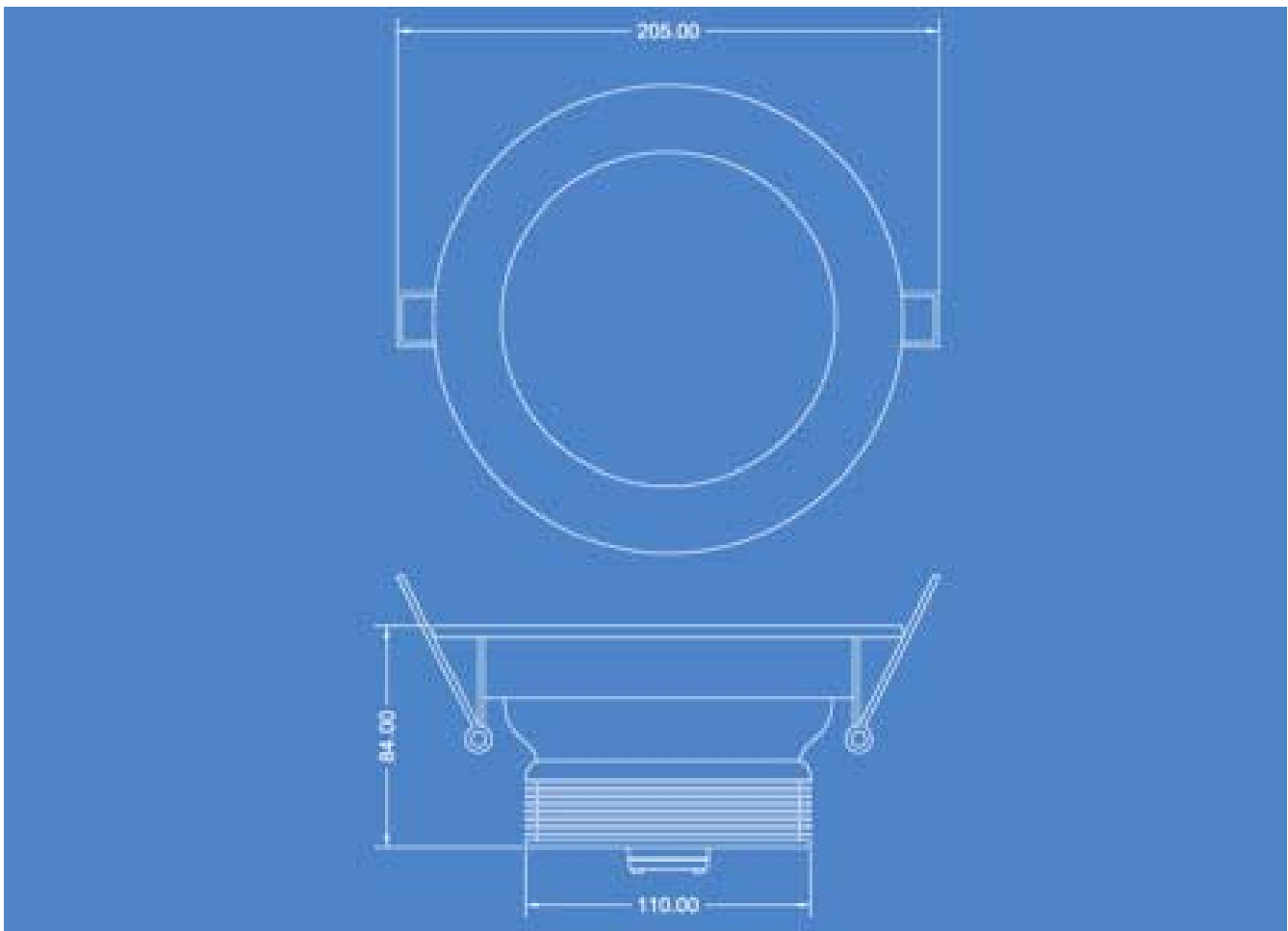


# SHENZHEN AGLARE LIGHTING CO., LTD.

Tel: +86-755-88868631 FAX: +86-755-88863251 E-mail: [Aglare@aglare.cn](mailto:Aglare@aglare.cn) Website: <http://www.aglare.cn>  
Add: Factory A, Supply and Marketing Cooperative Park Guanlan Avenue, Guanlan Town Bao'an District, Shenzhen City, Guangdong, China



### 3.Package Dimensions (mm):



### 4.Absolute Maximum Rating at TA=25°C:



# SHENZHEN AGLARE LIGHTING CO., LTD.

Tel: +86-755-88868631

FAX: +86-755-88863251

E-mail: [Aglare@aglare.cn](mailto:Aglare@aglare.cn)

Website: <http://www.aglare.cn>

Add: Factory A, Supply and Marketing Cooperative Park Guanlan Avenue, Guanlan Town Bao'an District, Shenzhen City, Guangdong, China

| Part Number    | Emitting Color | Input Voltage | Wattage | Waterpro of Degree | LED Quantity | Luminous Intensity(Lm) |      | Net Weight (g) |
|----------------|----------------|---------------|---------|--------------------|--------------|------------------------|------|----------------|
|                |                |               |         |                    |              | MIN                    | MAX  |                |
| YJ-DL244R25X1R | Red            | AC90-24<br>0V | 25W     | /                  | 25pcs        | 1375                   | 1625 | 1710g          |
| YJ-DL244R25X1G | Green          |               | 25W     | /                  | 25pcs        | 1375                   | 1625 | 1710g          |
| YJ-DL244R25X1B | Blue           |               | 25W     | /                  | 25pcs        | 350                    | 450  | 1710g          |
| YJ-DL244R25X1Y | Yellow         |               | 25W     | /                  | 25pcs        | 1375                   | 1500 | 1710g          |
| YJ-DL244R25X1W | Pure White     |               | 25W     | /                  | 25pcs        | 1750                   | 2500 | 1710g          |
| YJ-DL24425X1WW | Warm White     |               | 25W     | /                  | 25pcs        | 1625                   | 2250 | 1710g          |

## 5. Characteristic:

| Electro-Optical characteristics ( White ) ( Ta=25°C ) |                |        |       |     |       |      |
|---|----------------|--------|-------|-----|-------|------|
| Parameter   | Test Condition | Symbol | Value |     |       | Unit |
|   |                |        | Min   | Typ | Max   |      |
| Color temperature                                     | If=350mA       |        | 5000  |     | 6500  | K    |
| Forward voltage                                       | If=350mA       |        | 3.0   |     | 3.8   | V    |
| Power consumption                                     | If=350mA       |        | 17    | 18  | 19    | W    |
| Useful life   | If=350mA       |        | 30000 |     | 50000 | H    |

## 6.Lumen Decrease

| Operating time ( hours ) | Lumen decrease [ % ] |
|--------------------------|----------------------|
| 1000                     | 8                    |
| 5000                     | 15                   |
| 10000                    | 20                   |

## 8.Package Information:



# SHENZHEN AGLARE LIGHTING CO., LTD.

Tel: +86-755-88868631

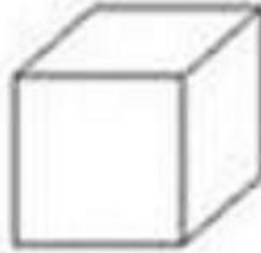
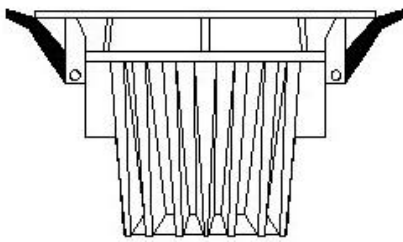
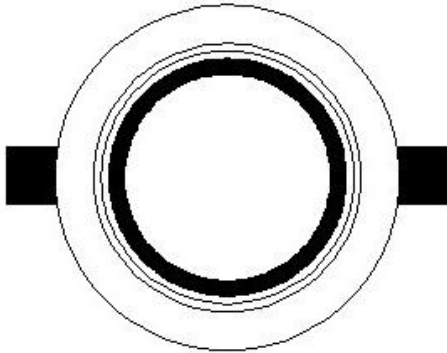
FAX: +86-755-88863251

E-mail: [Aglare@aglare.cn](mailto:Aglare@aglare.cn)

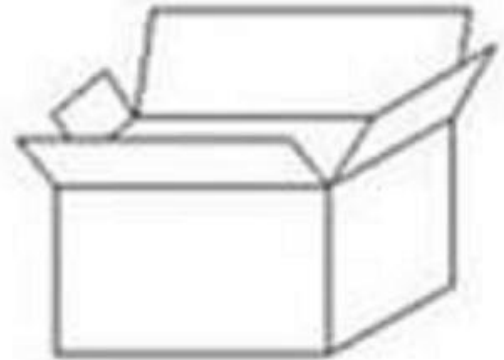
Website: <http://www.aglare.cn>

Add: Factory A, Supply and Marketing Cooperative Park Guanlan Avenue, Guanlan Town Bao'an District, Shenzhen City, Guangdong, China

| Net (g) | Gross (kg) | Carton1 Size (CM) | Carton2 Size (CM) | Q'ty/Carton 1 |
|---------|------------|-------------------|-------------------|---------------|
| 1710    | 29.2       | 25.5*25.5*11.2    | 51.5*51.5*18.5    | 16            |



BOX



Carton 2

## 9. After-sales service

All products are guaranteed to use in one year. Under the right and normal using condition, quality warranty is based on correct conservation, assemblage, and maintenance. As incorrect usage, and disobeying product operation, it's not guaranteed. To the problem within promised time, "Aglare" will solve it by repair, substitute accessories or replacement for your option. Upon exceeding the promised time, there will be material and maintenance fees to be paid by c

TEL: +86-755-88868631 FAX: +86-755-88863251 E-mail: [service@aglare.cn](mailto:service@aglare.cn)