



SHENZHEN AGLARE LIGHTING CO., LTD.

Tel: +86-755-88868631 FAX: +86-755-88863251 E-mail: Aglare@aglare.cn Website: <http://www.aglare.cn>
Add: Factory A, Supply and Marketing Industrial Cooperative Park Guanlan Avenue, Guanlan Town Bao'an District, Shenzhen city, Guangdong province, China 518110

Specification for Approval

Customer: _____

Product: YJ-MK-B50X15-2R

Part No.: _____

Ref. No: _____

Date: 2010.7.16

Made by Shenzhen Aglare Lighting Co. Ltd

Production Dept	Q.C. Dept	Engineering Dept	Marketing Dept
Wen Liu	Fang Yang	Jiang Yang	Fang Wang

Approved by

Engineering Dept	Production Dept	Q.C. Dept	Manager



SHENZHEN AGLARE LIGHTING CO., LTD.

Tel: +86-755-88868631 FAX: +86-755-88863251 E-mail: Aglare@aglare.cn Website: <http://www.aglare.cn>
Add: Factory A, Supply and Marketing Industrial Cooperative Park Guanlan Avenue, GuanlanTown Bao'an District, Shenzhen city, Guangdong province, China 518110

YJ-MK-B50X15-2R

Features:

- × Low power consumption, vivid lighting color
- × Defending Electricity Leakage
- × Easy to install, maintenance free
- × Big viewing angle, long lifespan
- × Green product, compliant with ROHS and CE.

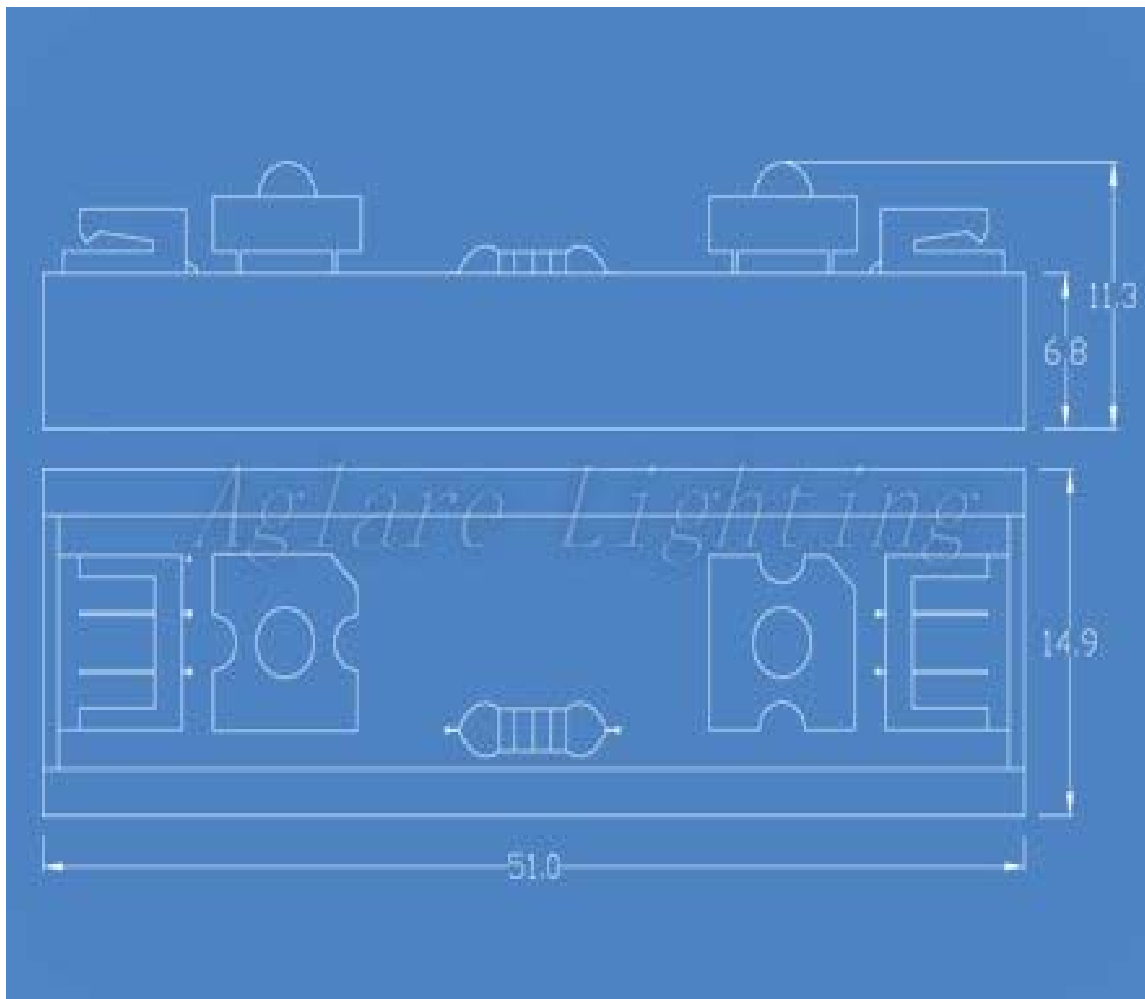
2.Application:

- × Decoration for indoor illumination
- × Slim characteristic for Lighting sign etc.

Picture:



3.Package Dimensions (mm):





SHENZHEN AGLARE LIGHTING CO., LTD.

Tel: +86-755-88868631 FAX: +86-755-88863251 E-mail: Aglare@aglare.cn Website: <http://www.aglare.cn>
 Add: Factory A, Supply and Marketing Industrial Cooperative Park Guanlan Avenue, Guanlan Town Bao'an District, Shenzhen city, Guangdong province, China 518110

4. Absolute Maximum Rating at TA=25°C:

Part Number	Emitting Color	Input Voltage	Wattage	Waterproof Degree	LED Quantity	Luminous Intensity(Lm)		Net Weight
						MIN	MAX	
YJ-MK-B50x15-2R	Red	DC12V	0.28W	--	2pcs	4	4.6	5.2g
YJ-MK-B50x15-2G	Green					5	6	
YJ-MK-B50x15-2B	Blue					3.4	3.8	
YJ-MK-B50x15-2Y	Yellow					4	4.6	
YJ-MK-B50x15-2W	Pure White					5	6	
YJ-MK-B50x15-2WW	Warm White					4.6	5	

5. Characteristic:

Electro-Optical characteristics		(Red)	(Ta=25°C)			
Parameter	Test Condition	Symbol	Value			Unit
			Min	Typ	Max	
Wavelength	If=16mA		620		635	nm
Viewing angle at 50% IV	If=8mA			140		Deg
Forward Voltage	If=16mA		1.8		2.4	V
Power consumption	If=16mA		0.2	0.28	0.3	W
Useful life	If=16mA		30000		50000	H

6. Lumen Decrease

Operating time (hours)	Lumen decrease [%]
1000	8
5000	15
10000	22



SHENZHEN AGLARE LIGHTING CO., LTD.

Tel: +86-755-88868631 FAX: +86-755-88863251 E-mail: Aglare@aglare.cn Website: <http://www.aglare.cn>
Add: Factory A, Supply and Marketing Industrial Cooperative Park Guanlan Avenue, Guanlan Town Bao'an District, Shenzhen city, Guangdong province, China 518110

7. Caution:

6.1 Applicable Voltage: DC12V.

6.2 Operating temperature: -30°C ~ +50°C.

6.3 The power voltage is permitted in +10%~-10% fluctuating. If it's beyond the said scope, it would influence lifespan, even unlighted or burnt out.

6.4 Make sure connecting wire is connected and sealed well to avoid defending Electricity Leakage.

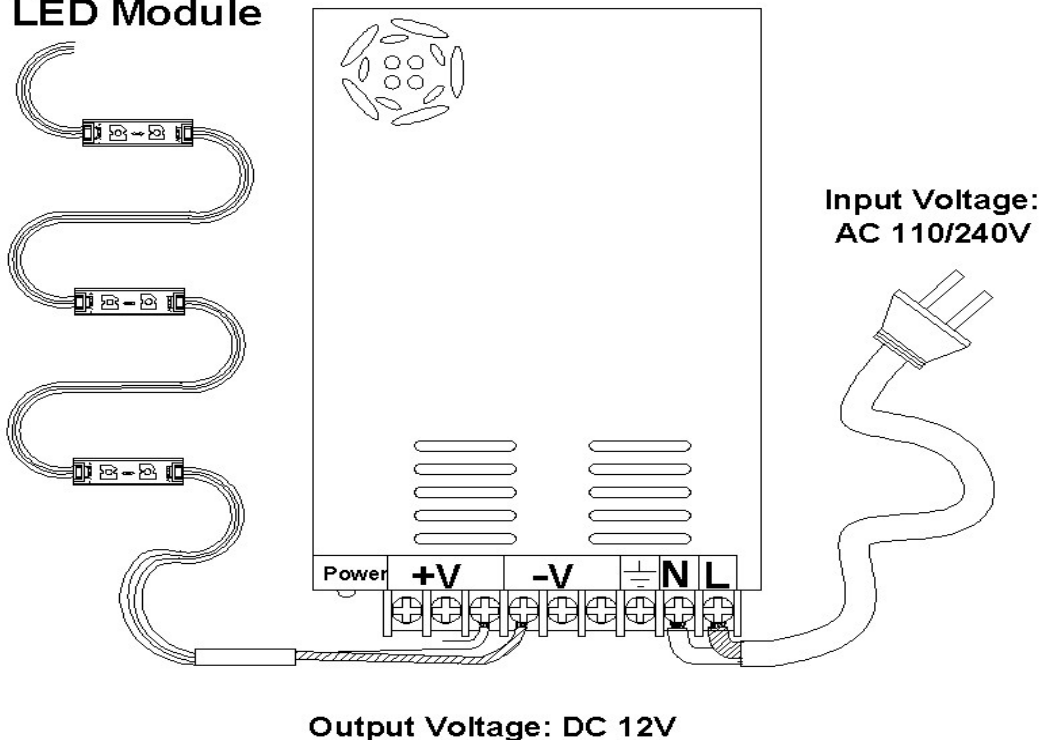
6.5 Make sure waterproof protection, and no defending Water leakage before connecting to extra power supply.

6.6 Before maintenance, make sure the power cut off. After assembling right, it can be connected power to use.

6.7 No breaking to any stipulation of fireproofing. Please ask Professional to install.

8. Installation

LED Module



9. After-sales service:

All products are guaranteed to use in one year. Under the right and normal using condition, quality warranty is based on correct conservation, assemblage, and maintenance. As incorrect usage, and disobeying product operation, it's not guaranteed. To the problem within promised time, "Aglare" will solve it by repair, substitute accessories or replacement for your option. Upon exceeding the promised time, there will be material and maintenance fees to be paid by customers.

TEL: +86-755-88868631 FAX: +86-755-88863251 E-mail: service@aglare.cn