



YJ-FLF295RGB30 led flood light

1. Features:

- × Low power consumption, vivid lighting color
- × Defending Electricity Leakage
- × Easy to install, maintenance free
- × Big viewing angle, long lifespan
- × Green product, compliant with ROHS and CE.

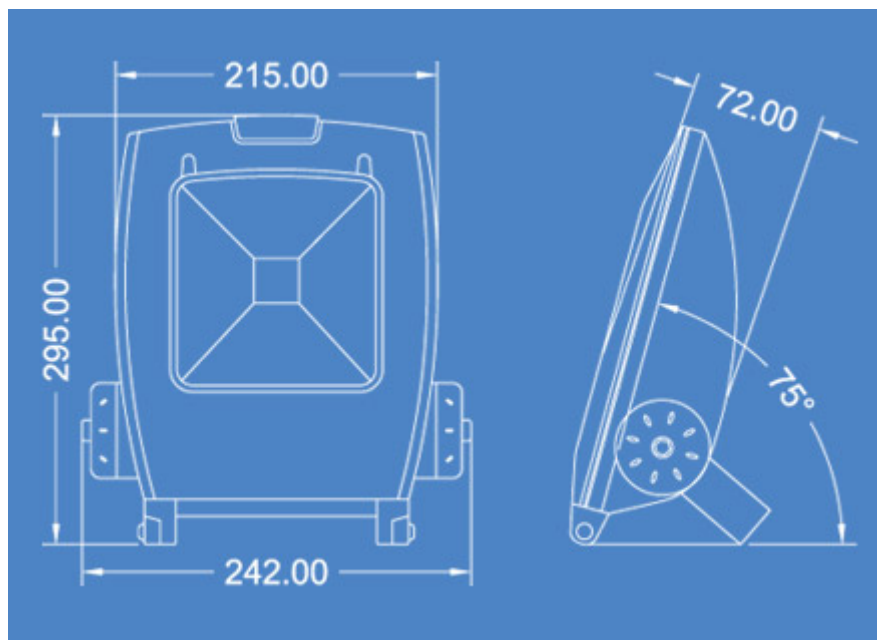
2. Application:

Illumination for park, billboard, street, tunnel, parking lot, garden, factory, and wall washing

Picture:



3. Package Dimensions (mm):



- 1). All dimensions are in millimeters
- 2). Tolerance is 0.5 mm unless otherwise noted
- 3). Voltage supply: AC85-AC265V

**4.YJ-FLF295RGB30 Characteristic:****LIGHT EMITTING DIODE LAMPS****Absolute maximum ratings**

	Symbol	Value	Unit
Input Voltage	u	AC85-265	V
Frequency Range	F	50-60	HZ
Power Factor		>0.98	
Power Efficiency		>85%	
Working voltage	u	DC30-36.	V
Forward current	I	960	mA
System Consumption	P	30	W
Led Consumption	P	25	W
LED Luminous Efficiency		60-100Lm/W	
LED Initial Flux	WW	1800	Lm
	PW	2100	Lm
	CW	1850	Lm
Lamp's Efficiency		>80%	
Average Luminance	Height=4M	30	Lux
	Height=6M	13	Lux
	Height=8M	7.5	Lux



SHENZHEN AGLARE LIGHTING CO., LTD. 3 / 4

Tel: +86-755-88868631 FAX: +86-755-88863251 E-mail: Aglare@aglare.cn Website: <http://www.aglare.cn>
 Add: Factory A, Supply and Marketing Cooperative Park Guanlan Avenue, Guanlan Town Bao'an District, Shenzhen City, Guangdong, China

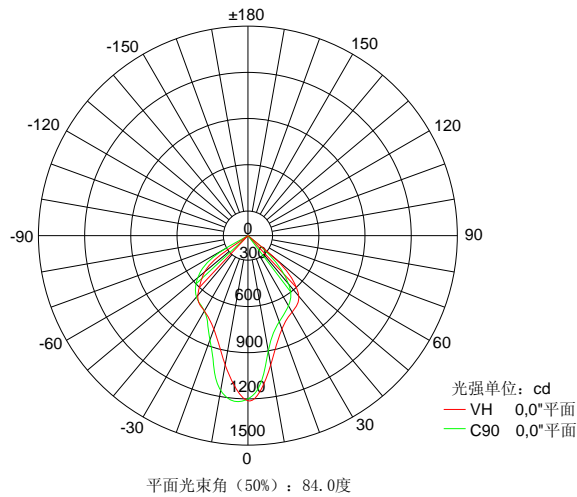
Luminance Area	Height=4M	8*8M	
	Height=6M	11*1M	
	Height=8M	16*18M	
Luminance Uniformity	>0.6		
Color Temperature	WW	2700-3900	K
	PW	3900-6500	K
	CW	6500-8000	K
Color Rendering Index	WW	Ra>68	
	PW,CM	Ra>75	
LED Junction Temperature	Top	<=80	°C
Operating temperature range	Top	-40~+55	°C
Storage temperature range	Top	-25~+65	°C

5, Absolute Maximum Rating at TA=25°C:

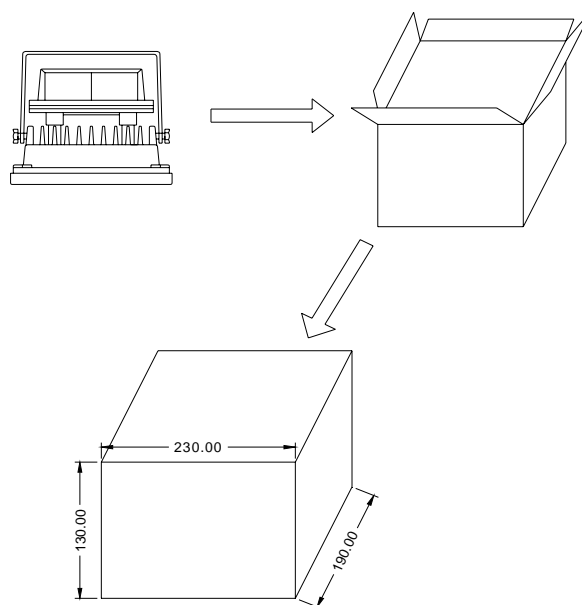
Part Number	Emitting Color	Input Voltage	Wattage	Waterproof Degree	LED Quantity	Luminous Intensity(Lm)		Net Weight(g)	Working Life-span (H)
						MIN	MAX		
YJ-FLF295RGB 30	Red	AC85 V-AC2 65V	30W	IP65	1pcs	1600	1900	1850	50000
	Green					1600	1900		
	Blue					400	550		



6, Light Distribution:



7, Installation:



8, After-sales service:

All products are guaranteed to use in one year. Under the right and normal using condition, quality warranty is based on correct conservation, assemblage, and maintenance. As incorrect usage, and disobeying product operation, it's not guaranteed. To the problem within promised time, "Aglare" will solve it by repair, substitute accessories or replacement for your option. Upon exceeding the promised time, there will be material and maintenance fees to be paid by customers.