



# SHENZHEN AGLARE LIGHTING CO., LTD.

Tel: +86-755-88868631

FAX: +86-755-88863251

E-mail: [Aglare@aglare.cn](mailto:Aglare@aglare.cn)

Website: <http://www.aglare.cn>

Add: Factory A, Supply and Marketing Cooperative Park Guanlan Avenue, Guanlan Town Bao'an District, Shenzhen City, Guangdong, China

## Specification for Approval

Customer: \_\_\_\_\_

Product: YJ-QP38E14CB-3X1W

Part No.: \_\_\_\_\_

Ref. No: \_\_\_\_\_

Date: 2010-07-16

### Made by Shenzhen Aglare Lighting Co. Ltd

Production Dept	Q.C. Dept	Engineering Dept	Marketing Dept
Wen Liu	Fang Yang	Jiang Yang	Fang Wang

### Approved by

Engineering Dept	Production Dept	Q.C. Dept	Manager



# SHENZHEN AGLARE LIGHTING CO., LTD.

Tel: +86-755-88868631 FAX: +86-755-88863251 E-mail: [Aglare@aglare.cn](mailto:Aglare@aglare.cn) Website: <http://www.aglare.cn>  
Add: Factory A, Supply and Marketing Cooperative Park Guanlan Avenue, Guanlan Town Bao'an District, Shenzhen City, Guangdong, China

## 1.Features:

LED bulb with 3W power consumption, 90-240V input voltage and 3 pieces 1-3W high-power LED. Various colors are available. Can be used in cabinet , sitting room, bathroom, etc.

1. LED quantity: 3pcs
2. Type:1-3W high-power LED
3. Power dissipation: 3W
4. Input voltage: AC 90-240V
5. Current: DC 320mA
6. Colors: red, green, blue, yellow, white and warm white
7. Luminous intensity: R(165-200lm), G(165-200Lm), B(42-54lm), Y(165-180lm), W(210-300lm), WW(200-270lm)
8. Net weight: 53g
9. Maximum size: 38\*105mm
10. Aluminum profiles body material and gear appearance are for efficient thermal radiation

## Picture:



## 2.Application Case:





# SHENZHEN AGLARE LIGHTING CO., LTD.

Tel: +86-755-88868631

FAX: +86-755-88863251

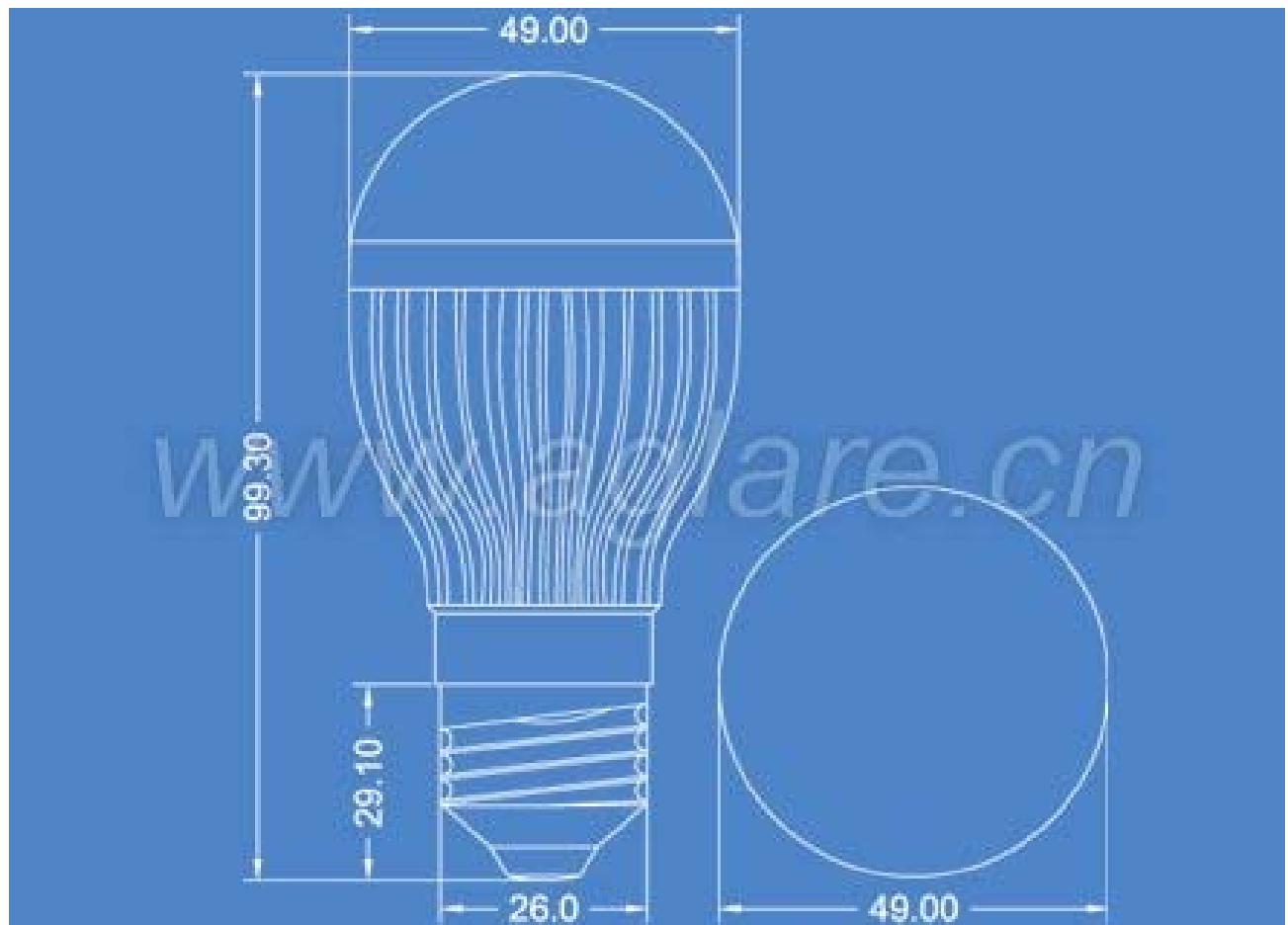
E-mail: [Aglare@aglare.cn](mailto:Aglare@aglare.cn)

Website: <http://www.aglare.cn>

Add: Factory A, Supply and Marketing Cooperative Park Guanlan Avenue, Guanlan Town Bao'an District, Shenzhen City, Guangdong, China



## 3.Package Dimensions (mm):



1).All dimensions are in millimeters

2).Tolerance is 0.5 mm unless otherwise noted



# SHENZHEN AGLARE LIGHTING CO., LTD.

Tel: +86-755-88868631

FAX: +86-755-88863251

E-mail: [Aglare@aglare.cn](mailto:Aglare@aglare.cn)

Website: <http://www.aglare.cn>

Add: Factory A, Supply and Marketing Cooperative Park Guanlan Avenue, Guanlan Town Bao'an District, Shenzhen City, Guangdong, China

## 4. Absolute Maximum Rating at TA=25°C:

Part Number	Emitting Color	Input Voltage	Wattage	Waterproof Degree	LED Quantity	Luminous Intensity(Lm)		Net Weight (g)
						MIN	MAX	
YJ-QP38E14CB-3X1R	Red	AC90-240V	3W		3pcs	165	200	53g
YJ-QP38E14CB-3X1G	Green		3W		3pcs	165	200	53g
YJ-QP38E14CB-3X1B	Blue		3W		3pcs	42	54	53g
YJ-QP38E14CB-3X1Y	Yellow		3W		3pcs	165	180	53g
YJ-QP38E14CB-3X1W	Pure White		3W		3pcs	210	270	53g
YJ-QP38E14CB-3X1WW	Warm White		3W		3pcs	200	260	53g

## 5. Characteristic:

Electro-Optical characteristics ( Pure White )						( Ta=25°C )	
Parameter	Test Condition	Symbol	Value			Unit	
			Min	Typ	Max		
Color temperature	If=350mA		5000		6500	K	
Power consumption	If=350mA	P		3		W	
Luminous intensity	If=350mA	Iv	210	240	270	LM	
Viewing angle at 50% IV	If=180mA		50	60	70	Deg	
Useful life	IF=350mA		30000		50000	H	

## 6. Lumen Decrease

Operating time ( hours )	Lumen decrease [ % ]
1000	8
5000	15
10000	20



# SHENZHEN AGLARE LIGHTING CO., LTD.

Tel: +86-755-88868631

FAX: +86-755-88863251

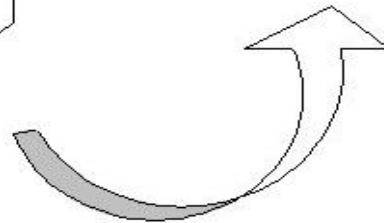
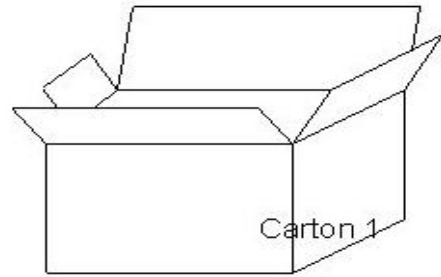
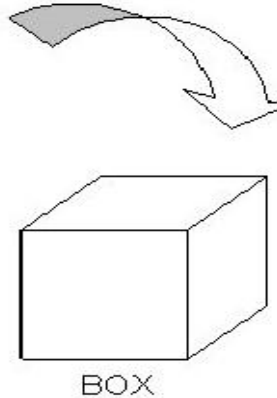
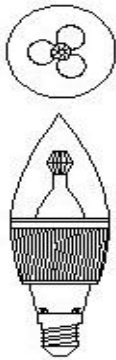
E-mail: [Aglare@aglare.cn](mailto:Aglare@aglare.cn)

Website: <http://www.aglare.cn>

Add: Factory A, Supply and Marketing Cooperative Park Guanlan Avenue, Guanlan Town Bao'an District, Shenzhen City, Guangdong, China

## 7. Package Information:

Net (g)	Gross (kg)	Box Size (cm)	CTN1 Size (cm)	Q'ty/CTN 1 (PCS)
53	10.2	4.0*4.0 *11.0	32.5*40.5*22.5	160



## 8. After-sales service:

All products are guaranteed to use in one year. Under the right and normal using condition, quality warranty is based on correct conservation, assemblage, and maintenance. As incorrect usage, and disobeying product operation, it's not guaranteed. To the problem within promised time, "Aglare" will solve it by repair, substitute accessories or replacement for your option. Upon exceeding the promised time, there will be material and maintenance fees to be paid by cu

TEL: +86-755-88868631 FAX: +86-755-88863251 E-mail: [service@aglare.cn](mailto:service@aglare.cn)